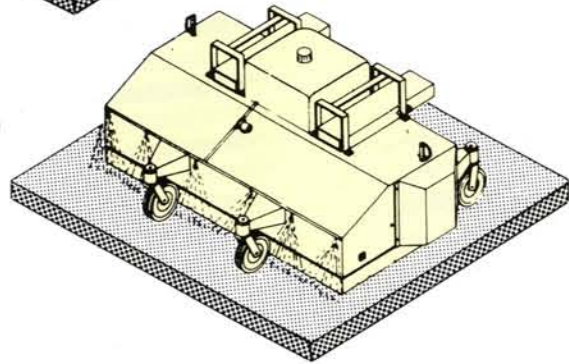


Self-contained hydraulic system powered by either a gasoline or diesel engine. (optional equipment)

Water sprinkler system with fine water spray. (optional equipment)



### Technical Spezifikationen

Model	Working-Width	Total-width	Waste Receptacle Volumen	Mass
GSX-1200	1,20 m	1,30 m	240 l	370 kg
GSX-1200 / 400 l	1,20 m	1,30 m	400 l	470 kg
GSX-1500	1,50 m	1,60 m	260 l	425 kg
GSX-1500 / 500 l	1,50 m	1,60 m	500 l	545 kg
GSX-2000	2,00 m	2,10 m	305 l	510 kg
GSX-2000 / 670 l	2,00 m	2,10 m	670 l	730 kg
GSX-2400 / 800 l	2,40 m	2,50 m	800 l	880 kg
GSO-1200	1,20 m	1,30 m	240 l	400 kg
GSO-1500	1,50 m	1,60 m	260 l	465 kg
GSO-2000	2,00 m	2,10 m	305 l	560 kg
GSO-2300	2,30 m	2,40 m	390 l	615 kg
GSW-1200 RL	1,20 m	1,30 m	-	250 kg
GSW-1500 RL	1,50 m	1,60 m	-	285 kg
GSW-2000 RL	2,00 m	2,10 m	-	340 kg
GSW-2300 RL	2,30 m	2,40 m	-	375 kg
GSW-2600 RL	2,60 m	2,70 m	-	410 kg

Broom Diameter ø: 600 mm Broom Material: 50% Steel Wire - 50% Polypropylene  
All models are equipped with hydraulic drive.

### Optional Equipment

Hydraulically operated gutter-brush; water spraying device with 100 litre reservoir; integrated hydraulic drive system available with gasoline or diesel engine; dust exhaust system with a high performance ventilator and quickly changeable filters (\*); extra large waste receptacle; special painting; broom made of 100% steel wire or 100% polypropylene; special designs.

(\*) available for the GSX-series only

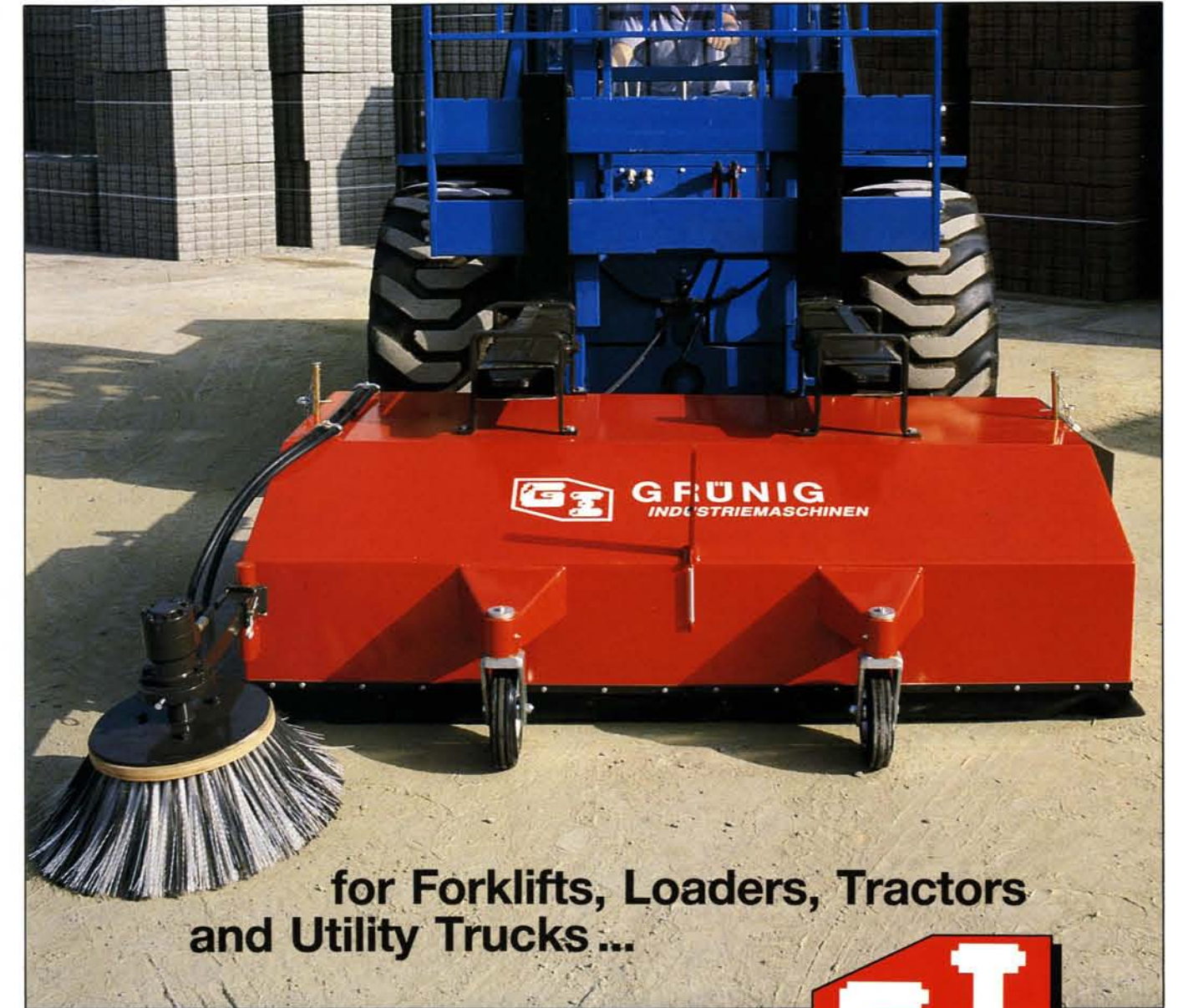
(Specifications and design subject to change without notice.)



Attachment to an utility truck, such as an Unimog.

Supplied and Serviced by:

# Snap-On Sweeping Machines



for Forklifts, Loaders, Tractors and Utility Trucks ...



**GRÜNIG**  
Industriemaschinen

**GI**  
**GRÜNIG**  
Industriemaschinen

Grünig Industriemaschinen GmbH  
Paul-Josef-Str. 12-14  
D-64658 Fürth/Erlenbach (Odw.)  
Germany  
Phone: +49 6253 4051  
Telefax: +49 6253 5100  
e-mail: [verkauf@gruenig.de](mailto:verkauf@gruenig.de)  
[www.gruenig.de](http://www.gruenig.de)

# Robust high performance Sweeping Machines for all cleaning applications



GSX-series with integrated debris container.  
Illustration depicts model GSX-2000 with optional gutter brush.



GSW-series without debris container.  
Illustration depicts model GSW-2000.



Attachment to three-point hitch or front loader of a tractor.



Attachment to the pallet forks of a forklift or loader.



Direct hook up with the bucket of a wheel-loader, compact-loader or minibackhoe.



Emptying of the debris container with remote operation from the carrier vehicle directly into containers. (GSX-series)

## Features of the GSX-series Sweeping Machines (with integrated debris container):

- Attachable to and detachable from the carrier vehicle within seconds
- Hydraulically driven
- Heavy duty construction for durability
- Compatible with the hydraulic system of virtually any carrier vehicle
- Also available with diesel or gasoline engine for independent operation of the carrier vehicle's hydraulic system
- Easy handling of all sweeping machine functions from the carrier vehicle
- Fully encapsulated broom
- Dust-free operation

- Up to 32000m<sup>2</sup> per hour cleaning performance
- Suited for both indoor and outdoor environments
- Universal for all types of cleaning, from fine dust to heavy debris
- Can be emptied directly into waste containers
- Optional gutter brush with adjustable rpm
- Parallelogram broom suspension for constant optimal ground contact of the broom
- Low maintenance requirements
- Vertical compensation between carrier and sweeping machine

## Special Features of the GSW-series (without debris container):

- Shield protection for broom
- Broom angles to the left or right
- Also suited for snow removal

**A** thorough, swift and low-priced cleaning operation is becoming of more and more importance in today's professional world. The clean appearance of your property is your calling-card and radiates a positive impression.

Grünig sweeping machines can be employed for outdoor as well as indoor environments and are suited for cleaning soiled, muddled, or encrusted concrete, asphalt or synthetic flooring, tracks and cobble stone pavement thoroughly and efficiently.

The operation range of Grünig sweeping machines spans from fine dust to leaves, wood, glass, metal and paper debris - only to name a few.

The operating performance of our sweeping machines is unsurpassed in speed and efficiency. The fully encapsulated GSX-models operate practically dust-free. Depending upon your carrier vehicle, it is possible to empty the sweeping machine directly into tall waste containers or dumpers. (GSX-series)

The Grünig Snap-On Sweeping Machine can be coupled to your carrier vehicle within seconds, making your carrier vehicle a ready-for-action sweeping machine. Because the Snap-On Sweeping Machine is so easily attached and detached, you can employ your carrier vehicle to its utmost efficiency by cleaning your property when the carrier vehicle is not in use.

The Grünig Snap-On Sweeping Machine is the economical solution to your cleaning problems. The expensive components of the system you already own: your forklift, loader, tractor, mini-backhoe or pickup truck is the ideal type of carrier vehicles for the sweeping machine. This idea allows you to expand the functions of your in-house equipment.

The construction of the Grünig Snap-On Sweeping Machine reflects the philosophy of our company: The production of sturdy, durable, efficient and easy to handle machines which can set the standards.